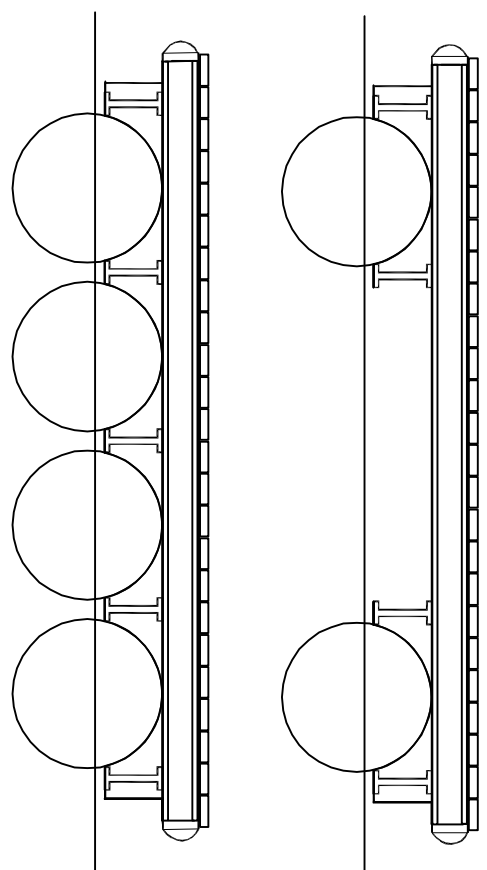
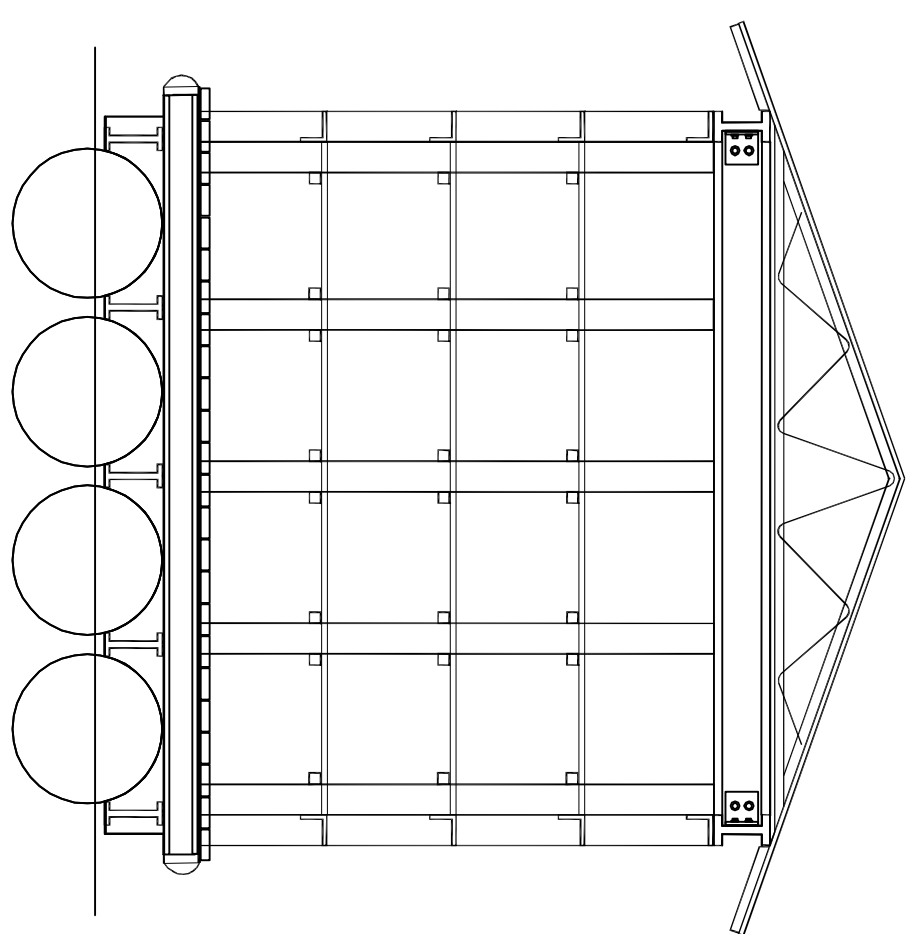
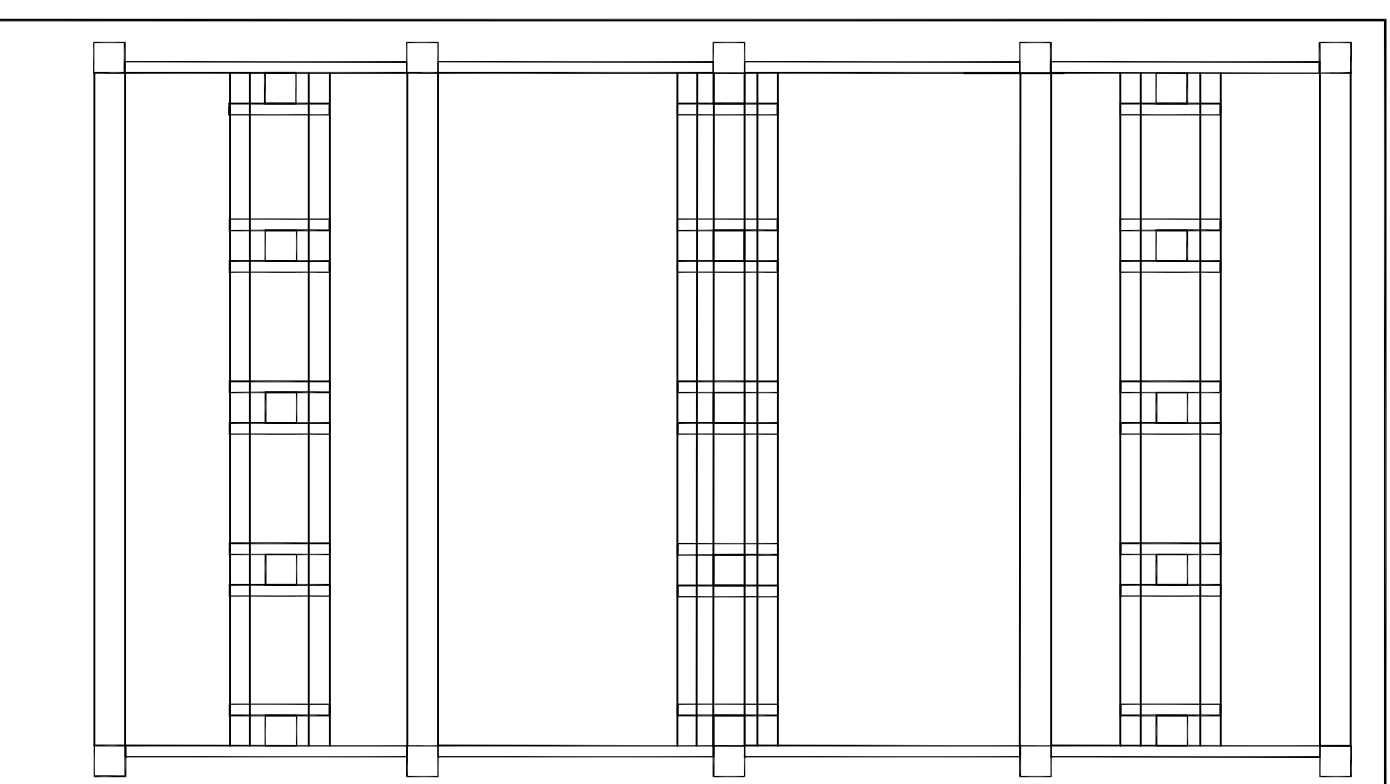
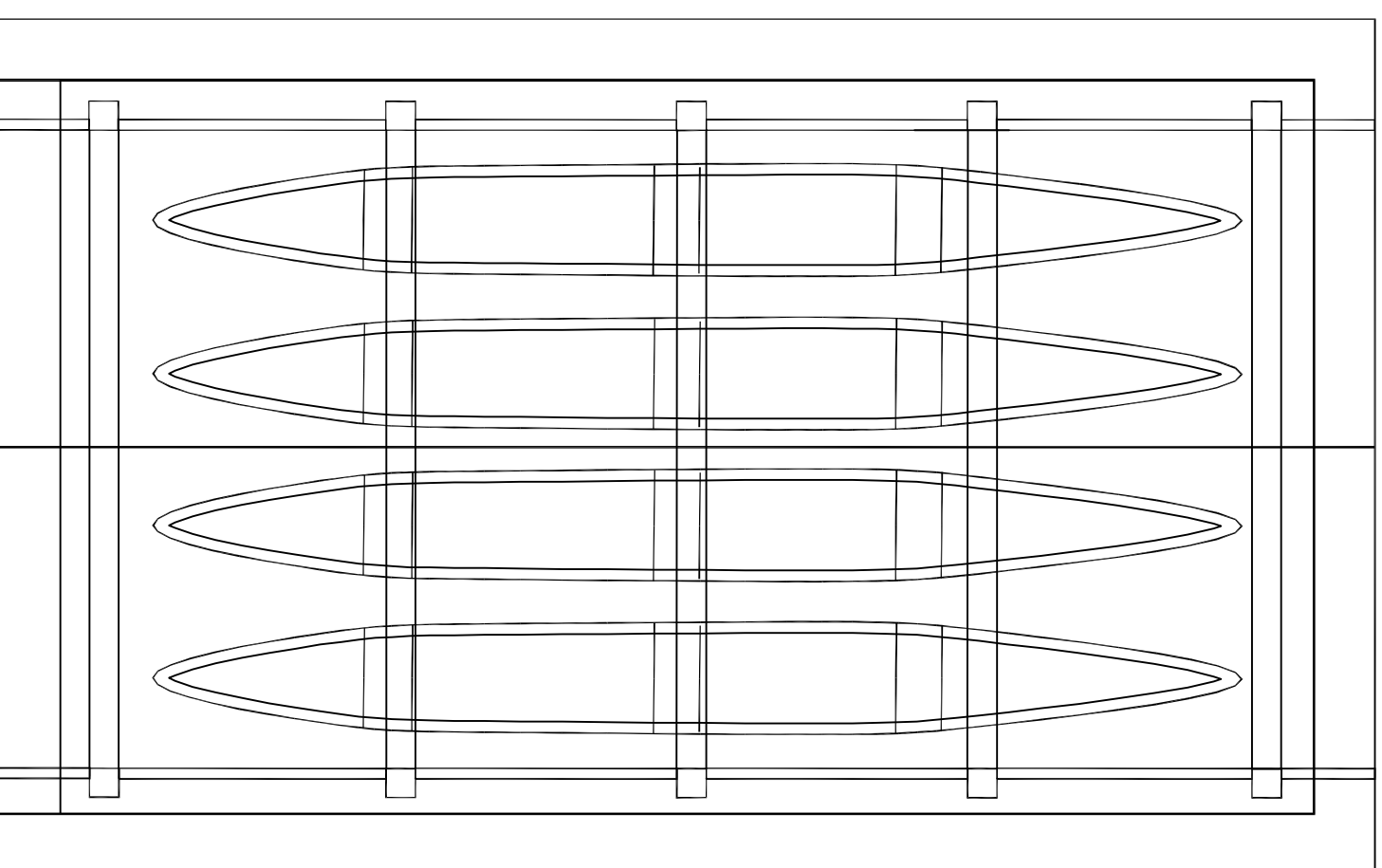
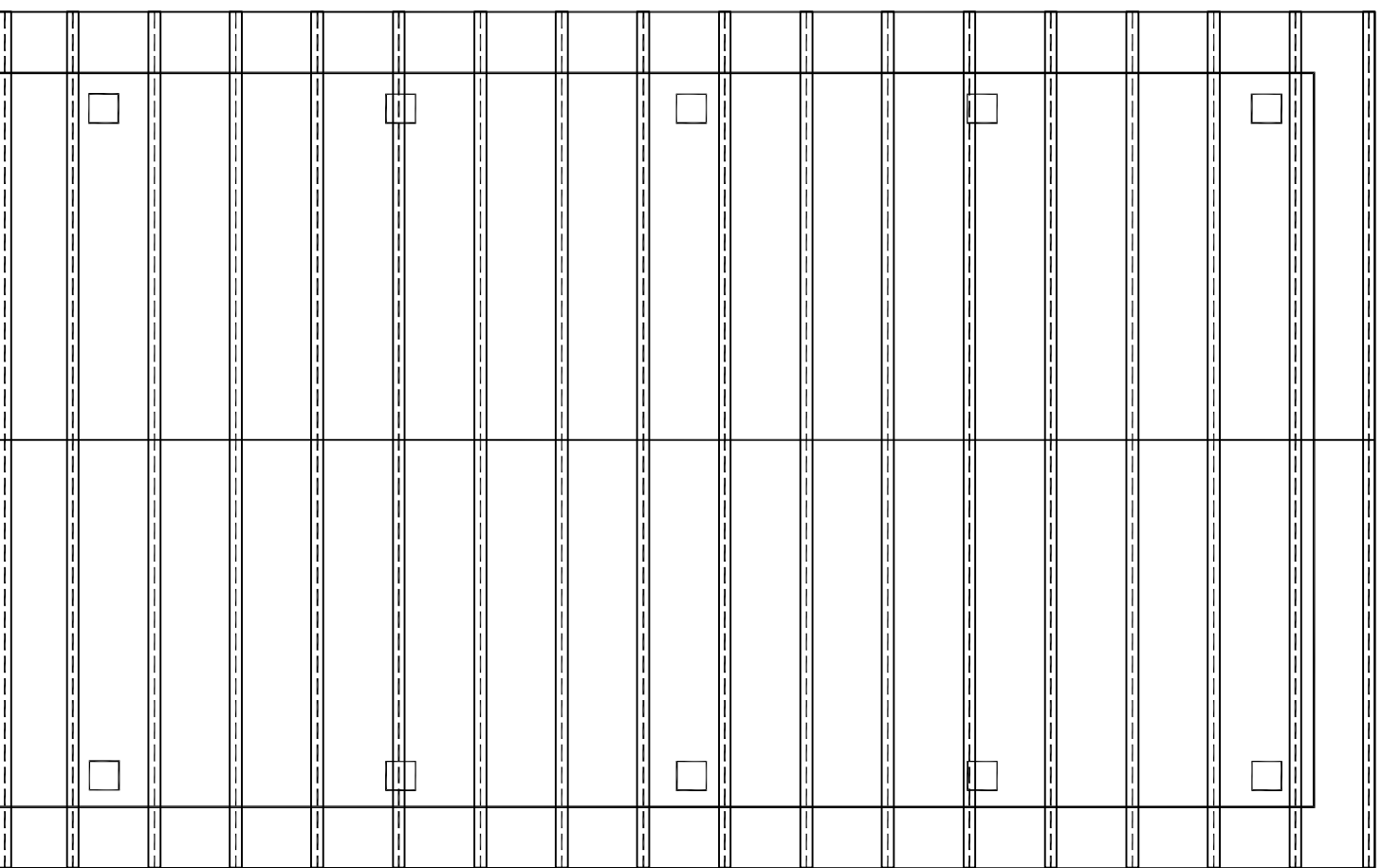


$\frac{3}{8}$ " ALUMINUM 3" ANGLE FRAME JOISTS
 W/ $\frac{1}{2}$ " DIA ALUMINUM BAR WEB
 W/ METAL ROOFING SECURED WITH $\frac{3}{8}$ " FASTENERS @ 12" OC
 12' HT AT PEAK OF ROOF 3:1:2 SLOPE
 THRU-BOLT $\frac{3}{8}$ " ANGLE BRACKETS W/
 $\frac{1}{2}$ " ST STEEL BOLTS, NUTS & WASHERS

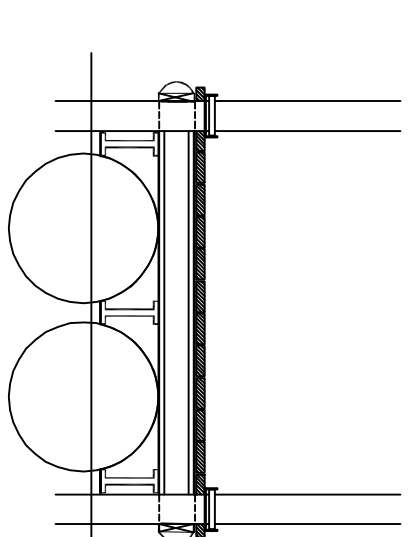
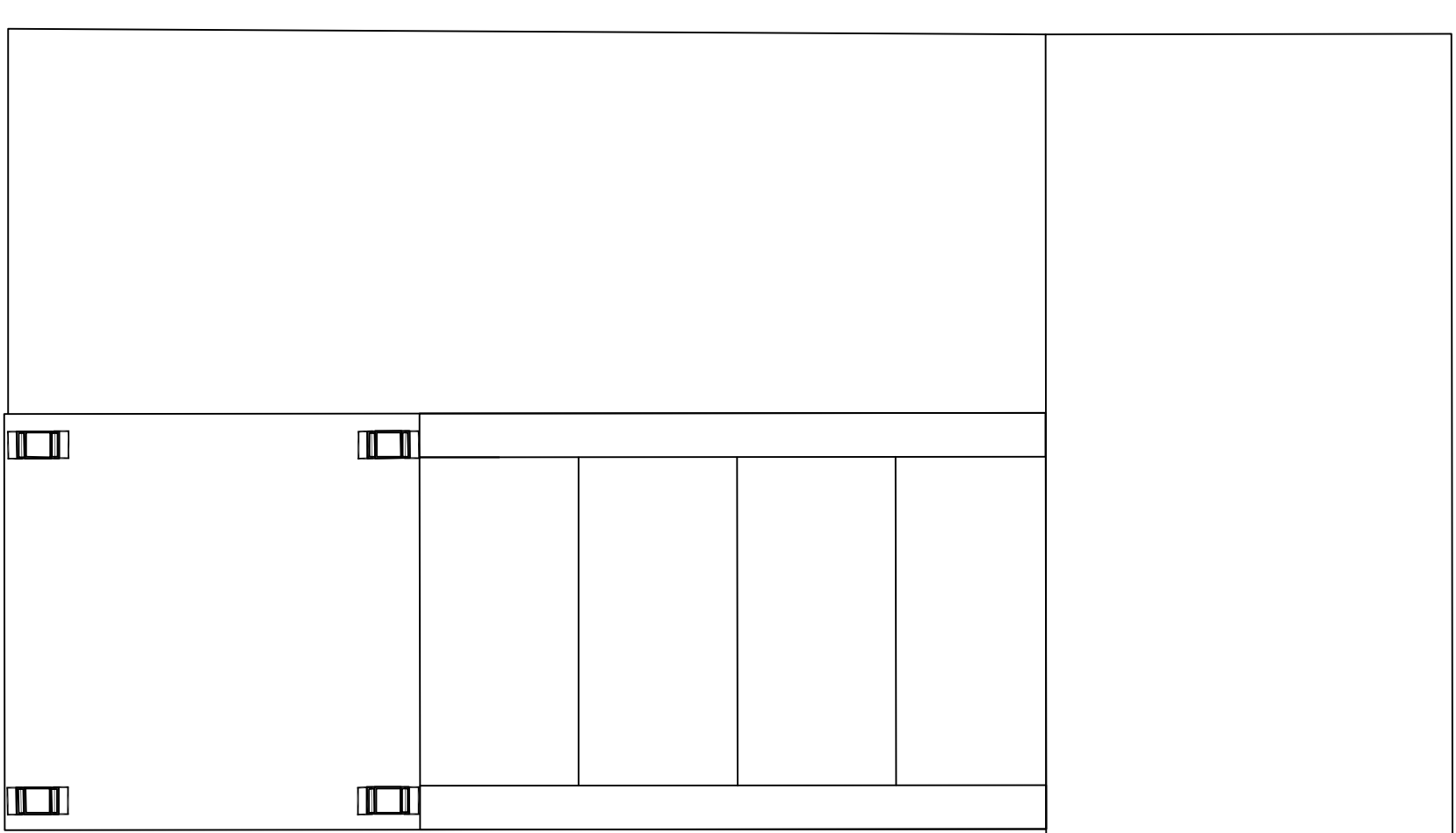


12'x40' ALUMINUM FRAME AND BEAMS
 4" BDX BEAMS W/ 2" ANGLE
 10'x4" I-BEAM OVER COLUMNS
 2" BDX SUPPORTS - SECURE TO WOOD 2x4'S
 $\frac{3}{8}$ " THK. W/ WELDED CONNECTIONS



PRELIMINARY FOR ESTIMATING

12'x22' FLOATING DOCK
 8" ROLLERS AT EACH PILING
 ALUMINUM $\frac{3}{8}$ " ANGLE FRAME



FLOAT DOCK PLAN

ROOFING PLAN

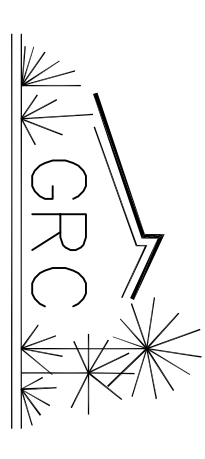
RACK LAYOUT PLAN

STRUCTURAL PLAN

BOAT HOUSE DOCK PLANS

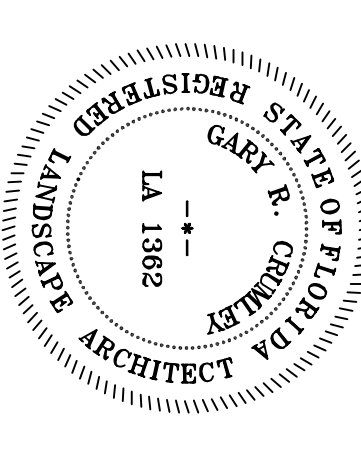
NO SCALE

**GARY R.
 CRUMLEY**
 LANDSCAPE ARCHITECT



LA 1362

2462 JETTY CT.
 ATLANTIC BCH, FL 32233
 (904) 233-4455



DOCK ADDITION FOR
 APALACHICOLA MARITIME MUSEUM
 103 E. WATER ST.
 APALACHICOLA FLORIDA
 CONSTRUCTION PLANS

JOB#: 090929
 DATE: 12-23-2009
 DRAWN: GRC
 CHK'D: GRC
 ISSUED: 2-10-2010

REVISED:

SHEET NO.

BD-1
 OF **2**