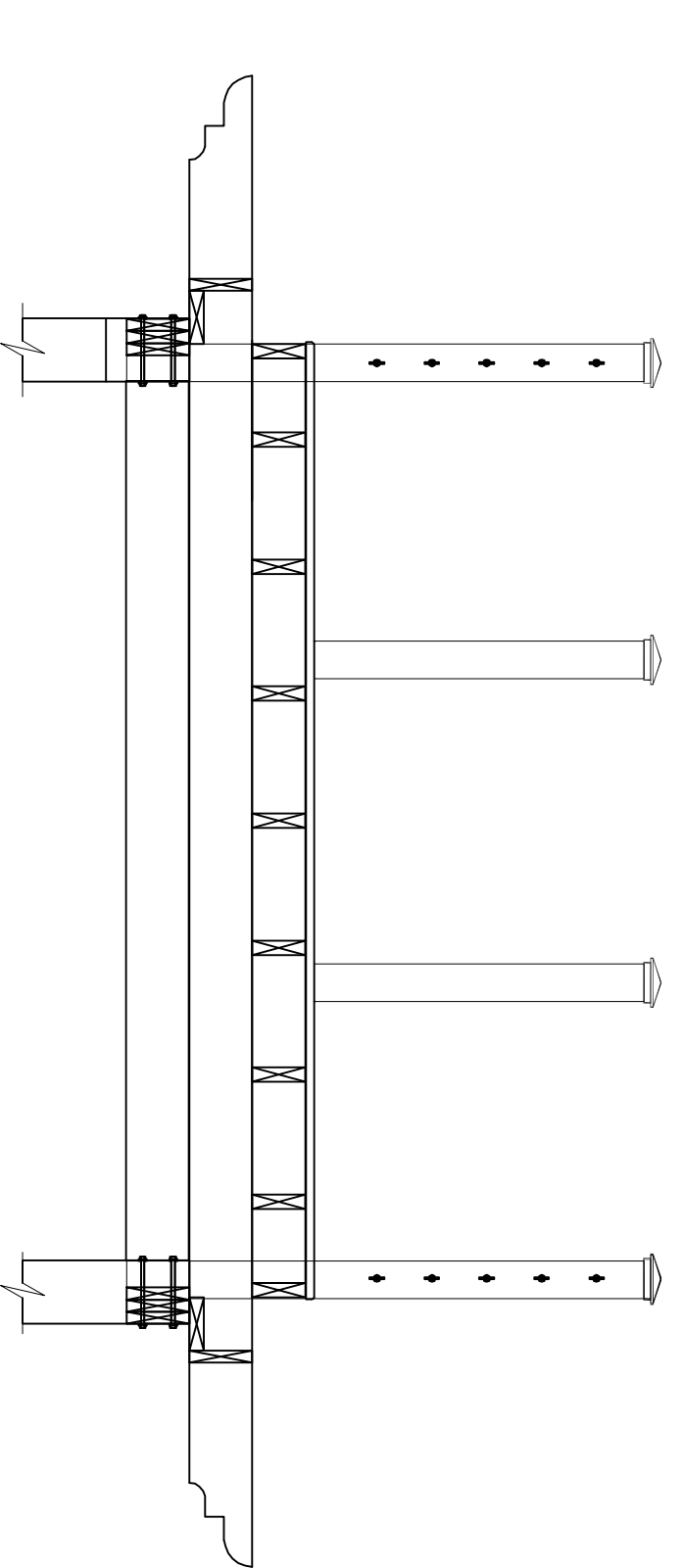


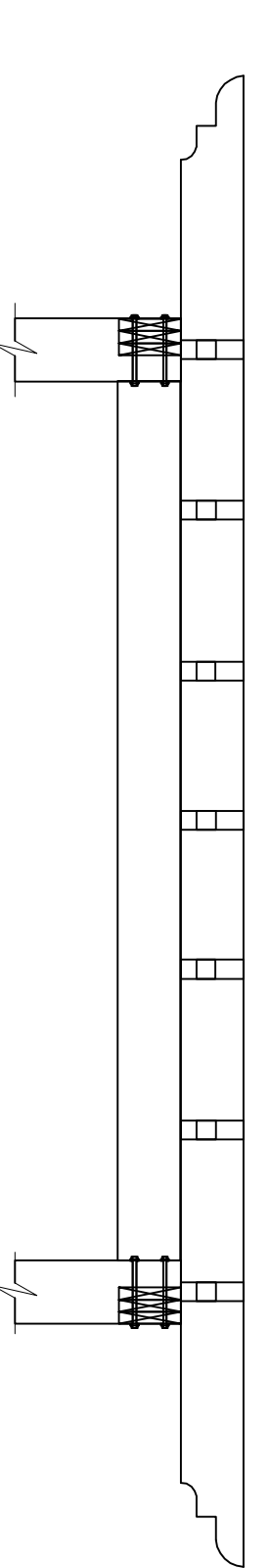
DOCK ADDITION FOR
APALACHICOLA MARITIME MUSEUM
103 E. WATER ST.
APALACHICOLA FLORIDA
CONSTRUCTION PLANS

JOB#: 090929
DATE: 12-23-2009
DRAWN: GRC
CHKD: GRC
ISSUED: 2-10-2010
REVISED:

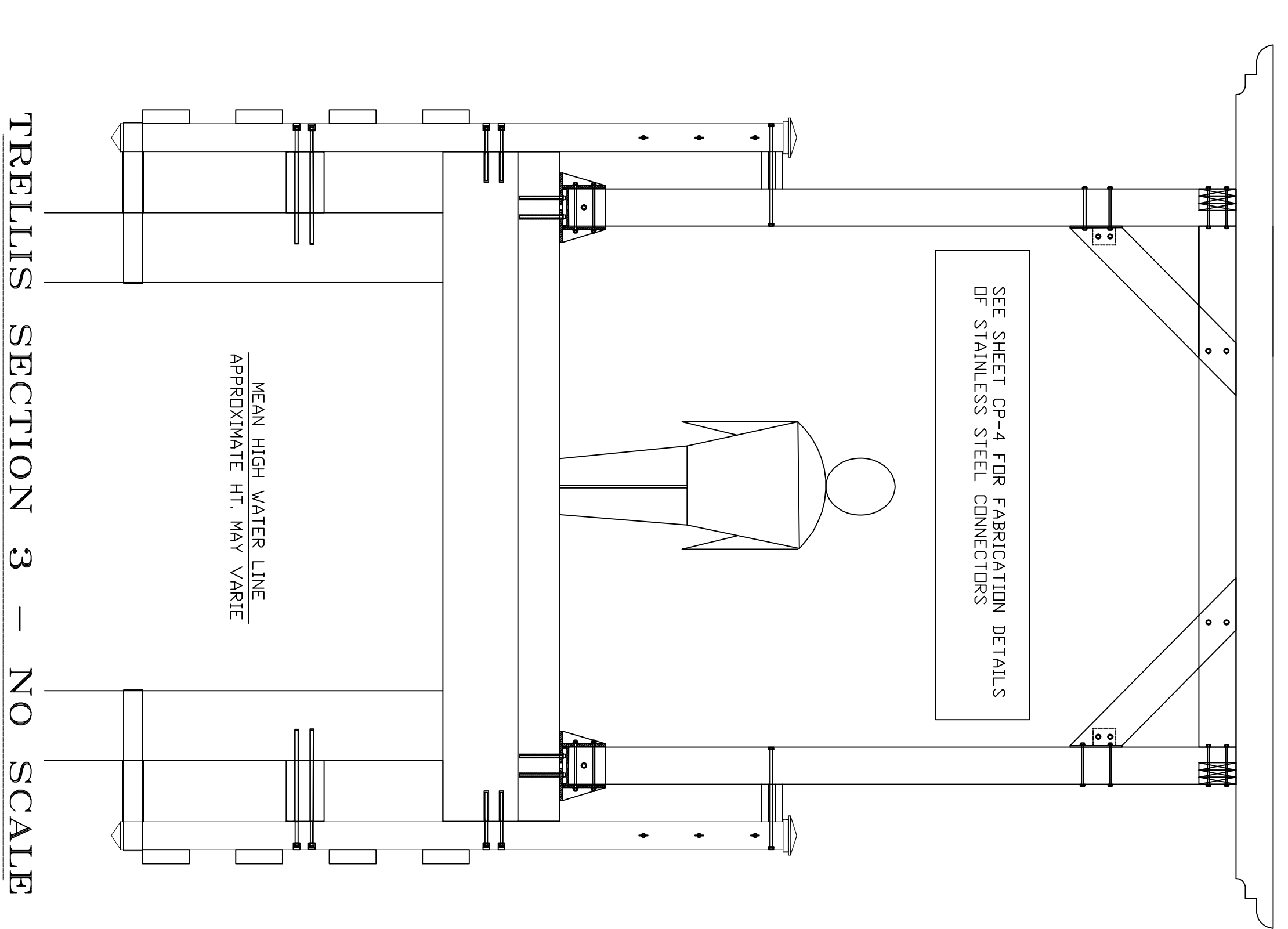
SHEET NO.
CP-1
OF 5



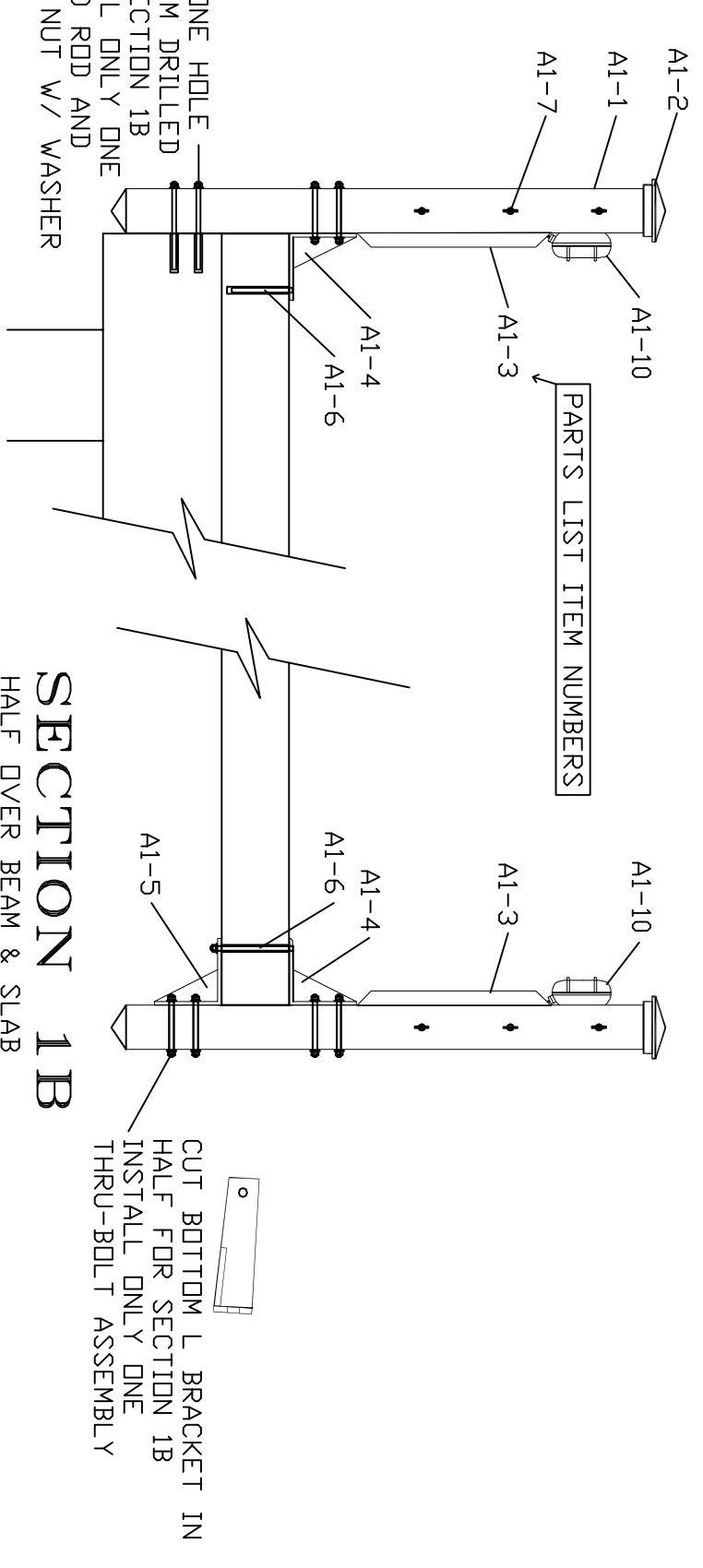
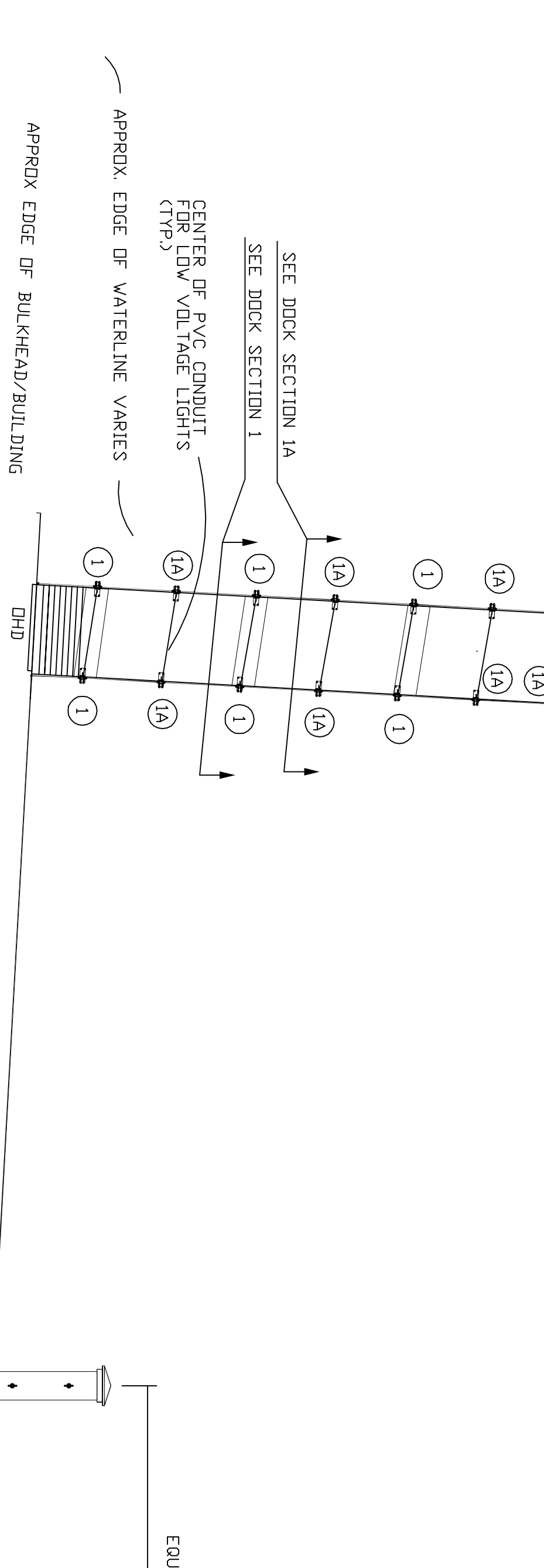
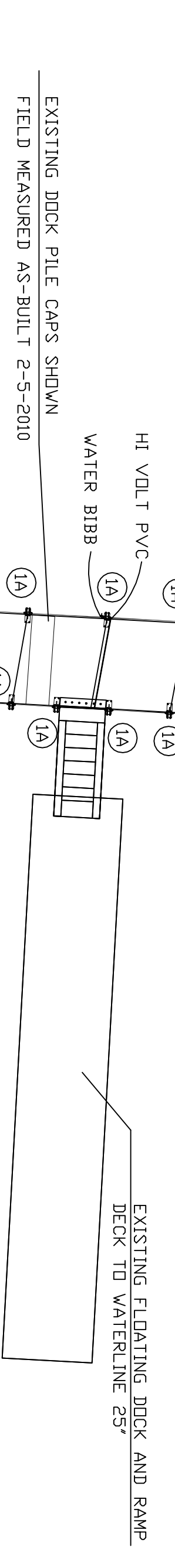
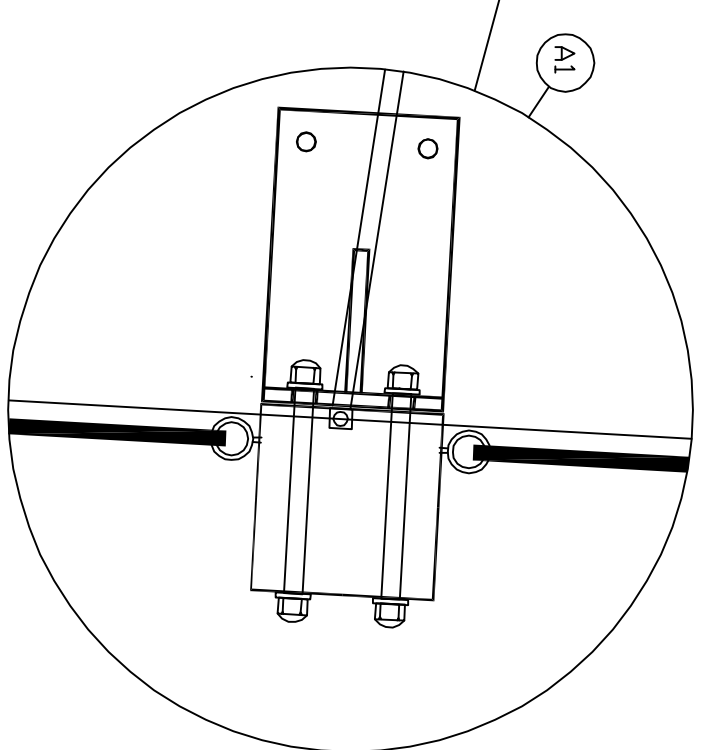
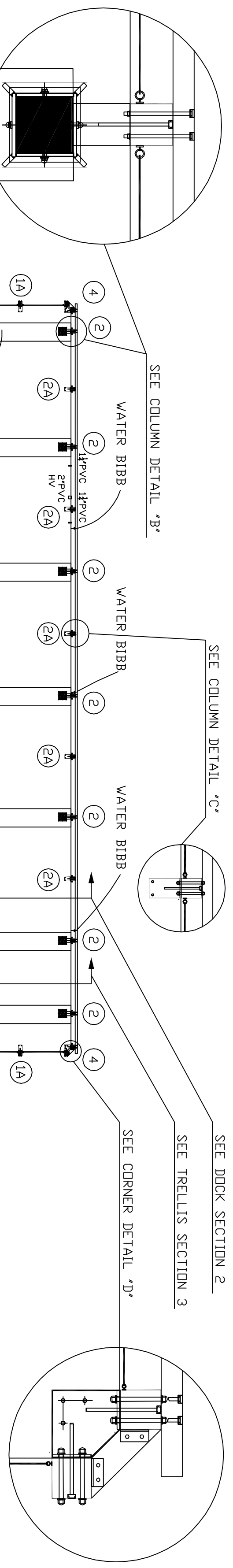
SUN DECK SECTION - NO SCALE



END VIEW - NO SCALE



TRELLIS SECTION 3 - NO SCALE

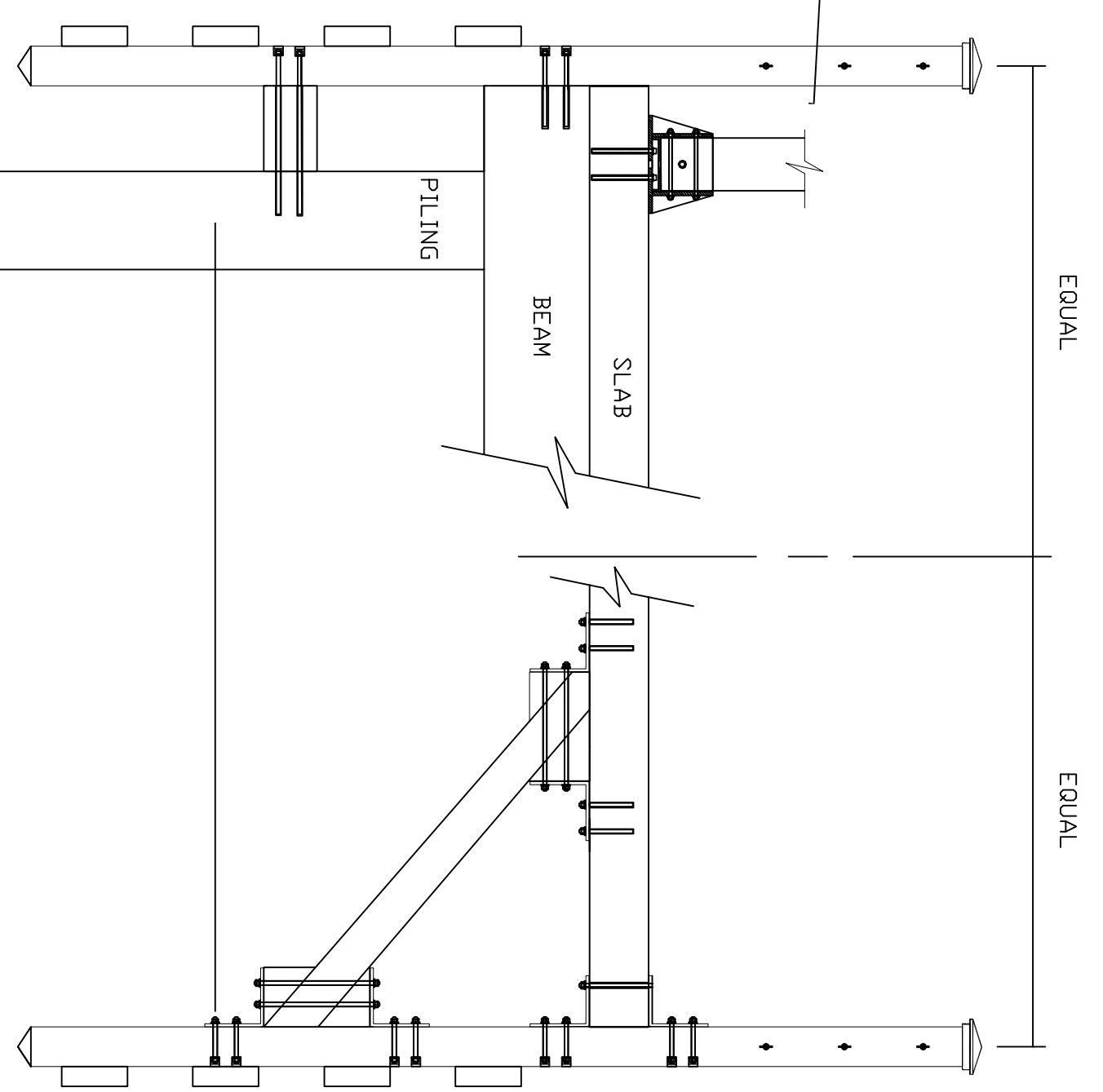


SECTION 1B
HALF DIVER BEAM & SLAB
HALF DIVER SLAB ONLY

SECTION 1A
DIVER SLAB ONLY

SECTION 1
DIVER BEAM & SLAB

DOCK SECTION 1/1A - NO SCALE



SECTION 2A
DIVER SLAB ONLY

SECTION 2
DIVER PILING BEAM & SLAB

SECTION 1A
DIVER SLAB ONLY

SECTION 1B
DIVER BEAM & SLAB

DOCK SECTION 1/1A - NO SCALE