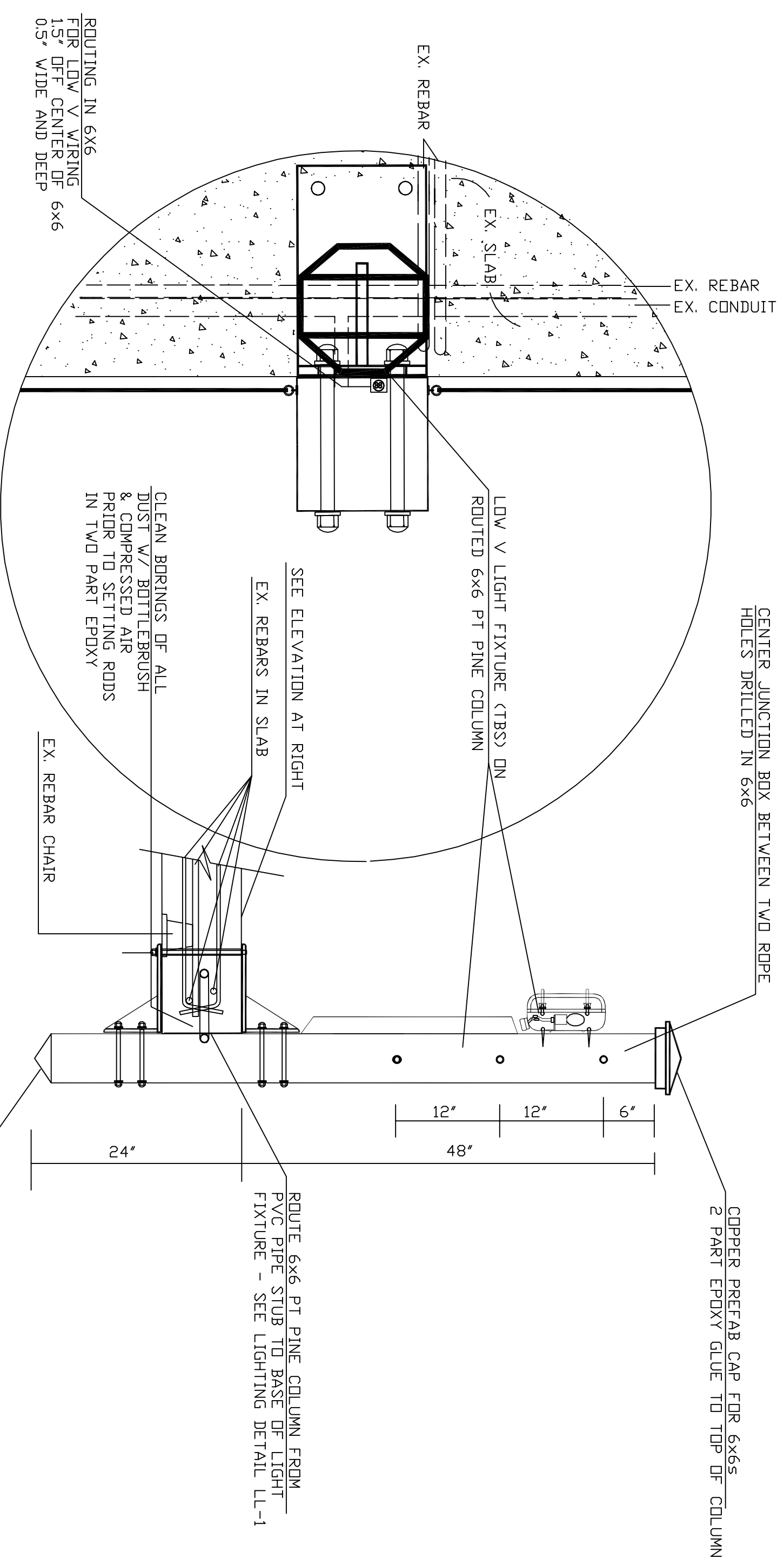
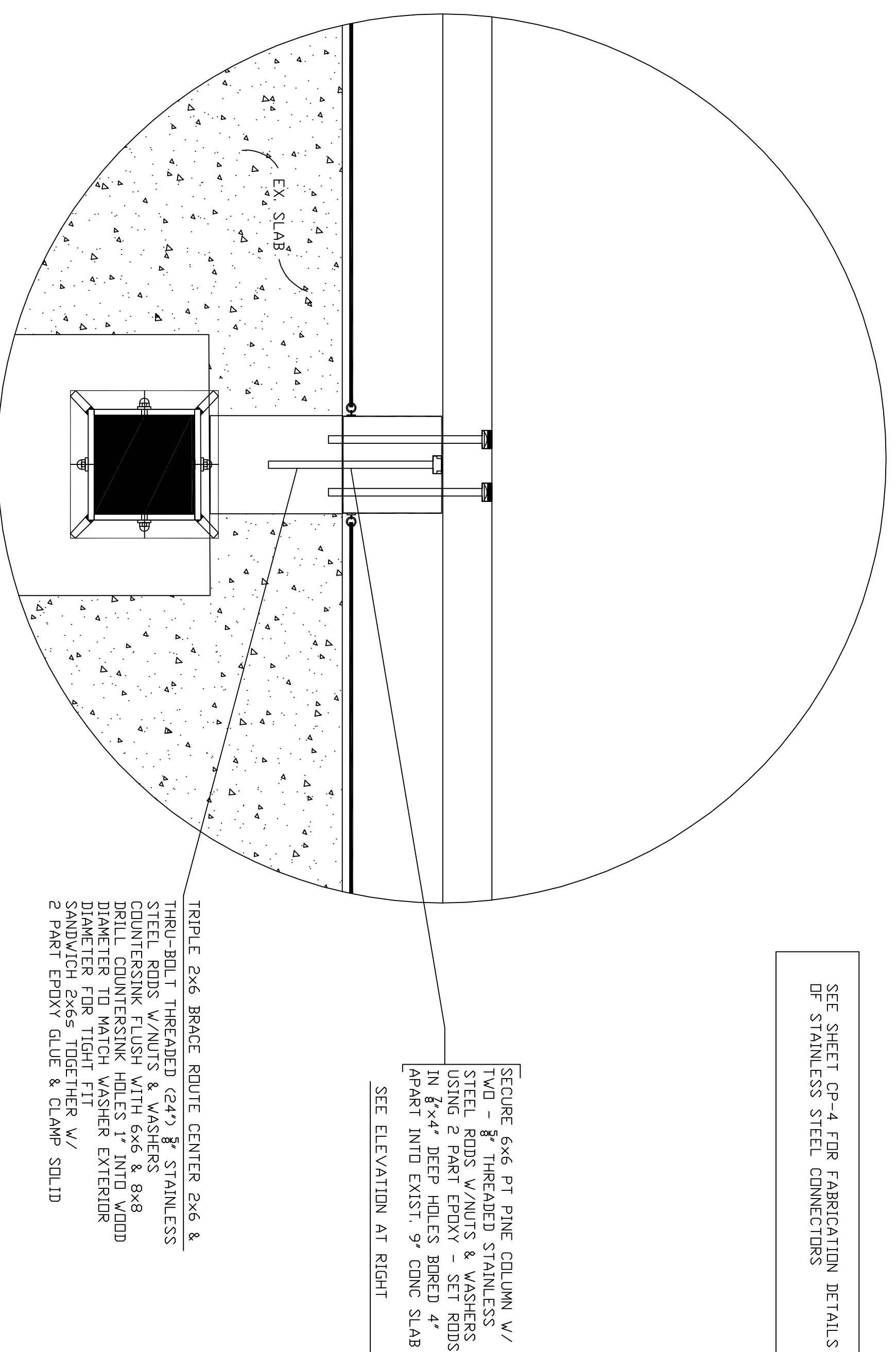


DOCK ADDITION FOR  
APALACHICOLA MARITIME MUSEUM  
103 E. WATER ST.  
APALACHICOLA FLORIDA  
CONSTRUCTION PLANS

JOB#: 090929  
DATE: 12-23-2009  
DRAWN: GRC  
CHKD: GRC  
ISSUED: 2-10-2010  
REVISED:



COLUMN DETAIL "A" - NO SCALE



COLUMN DETAIL "B" - NO SCALE

