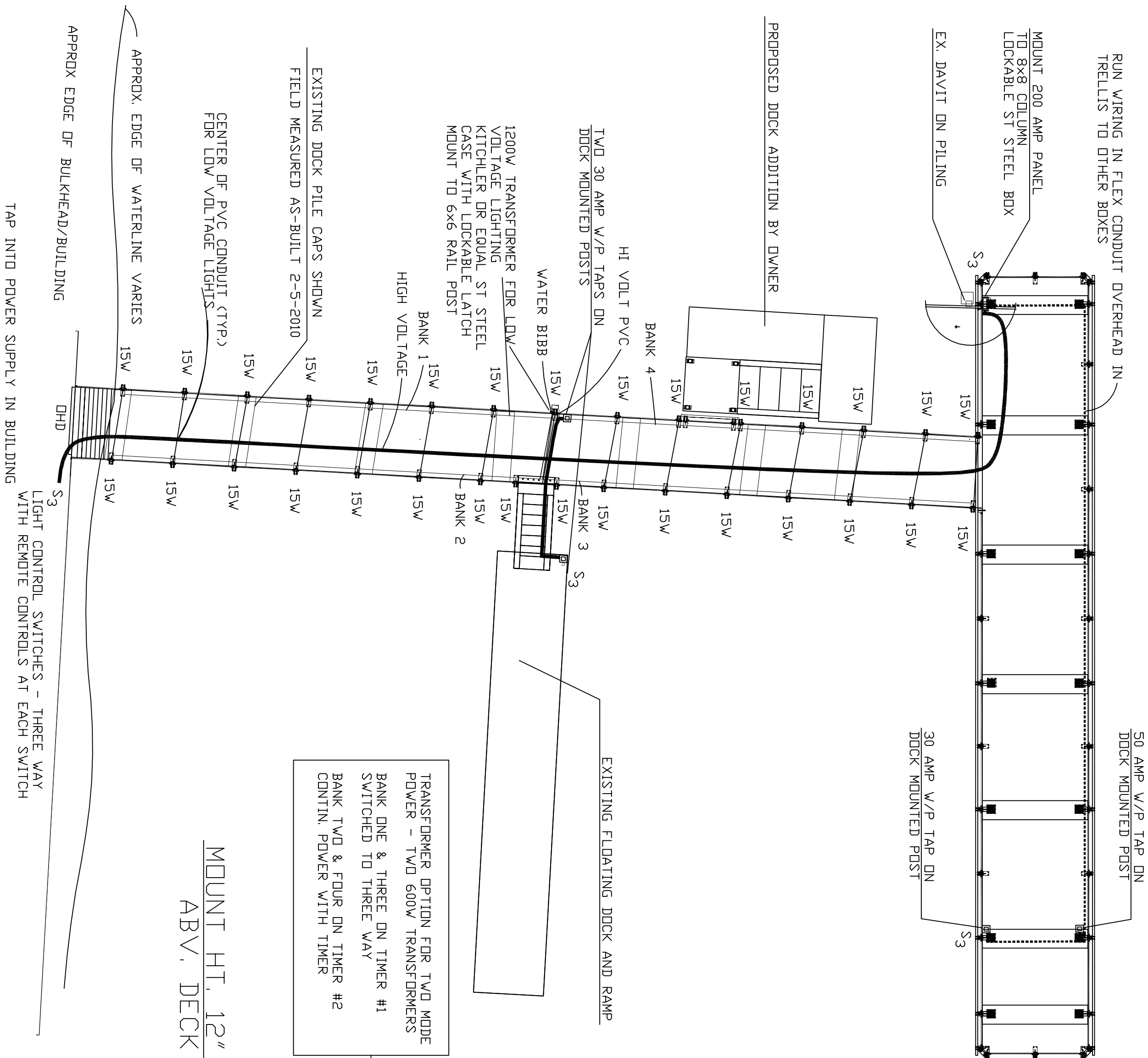


RUN WIRING IN FLEX CONDUIT OVERHEAD IN TRELLIS TO OTHER BOXES

MOUNT 200 AMP PANEL TO 6X6 COLUMN LOCKABLE STEEL BOX

EX. DAVIT ON PILING

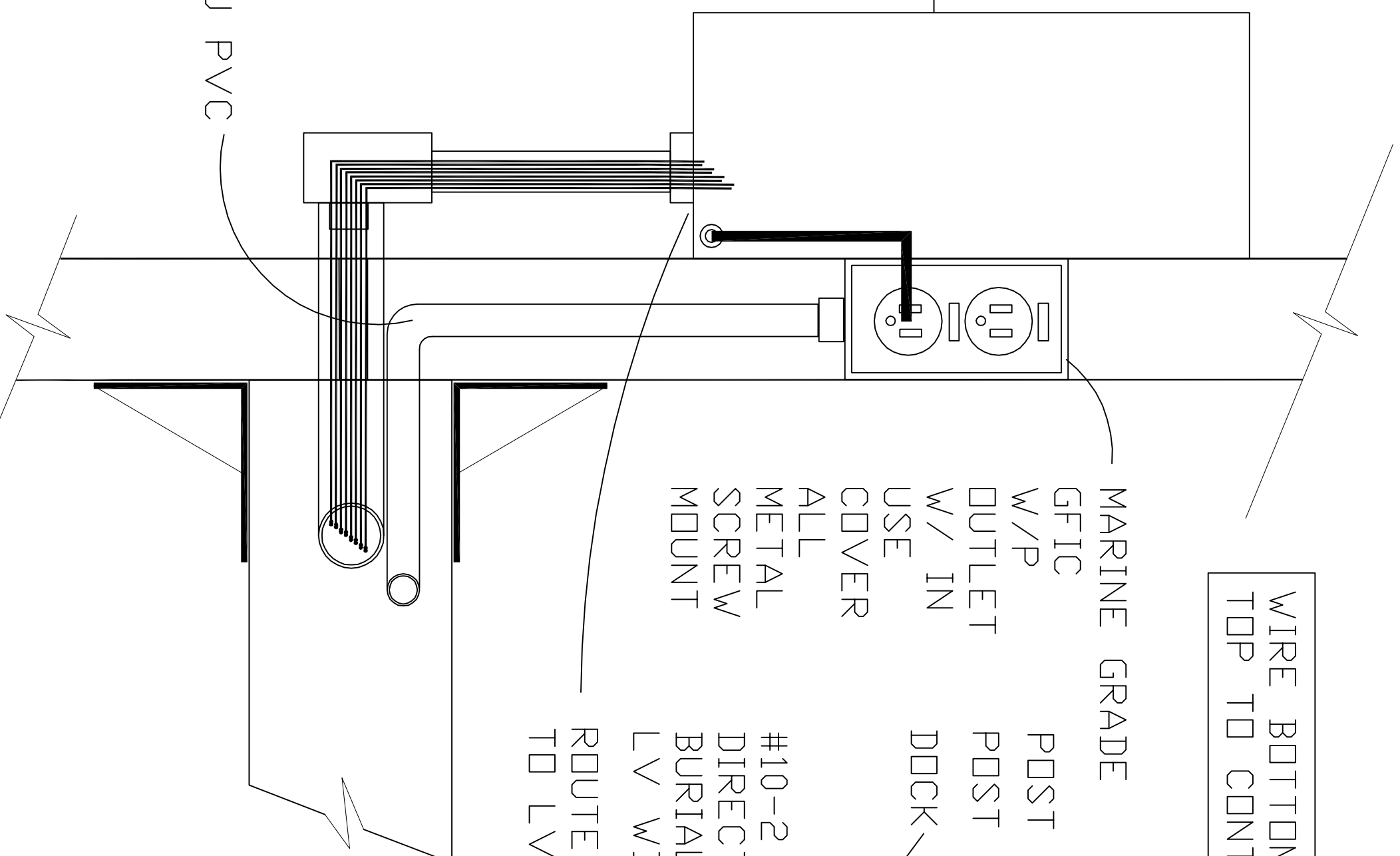
PROPOSED DOCK ADDITION BY OWNER



DOCK LIGHTING PLAN @ 1"=10'

ROUTE WIRES THRU PVC TO HIGH VOLTAGE SUB PANEL

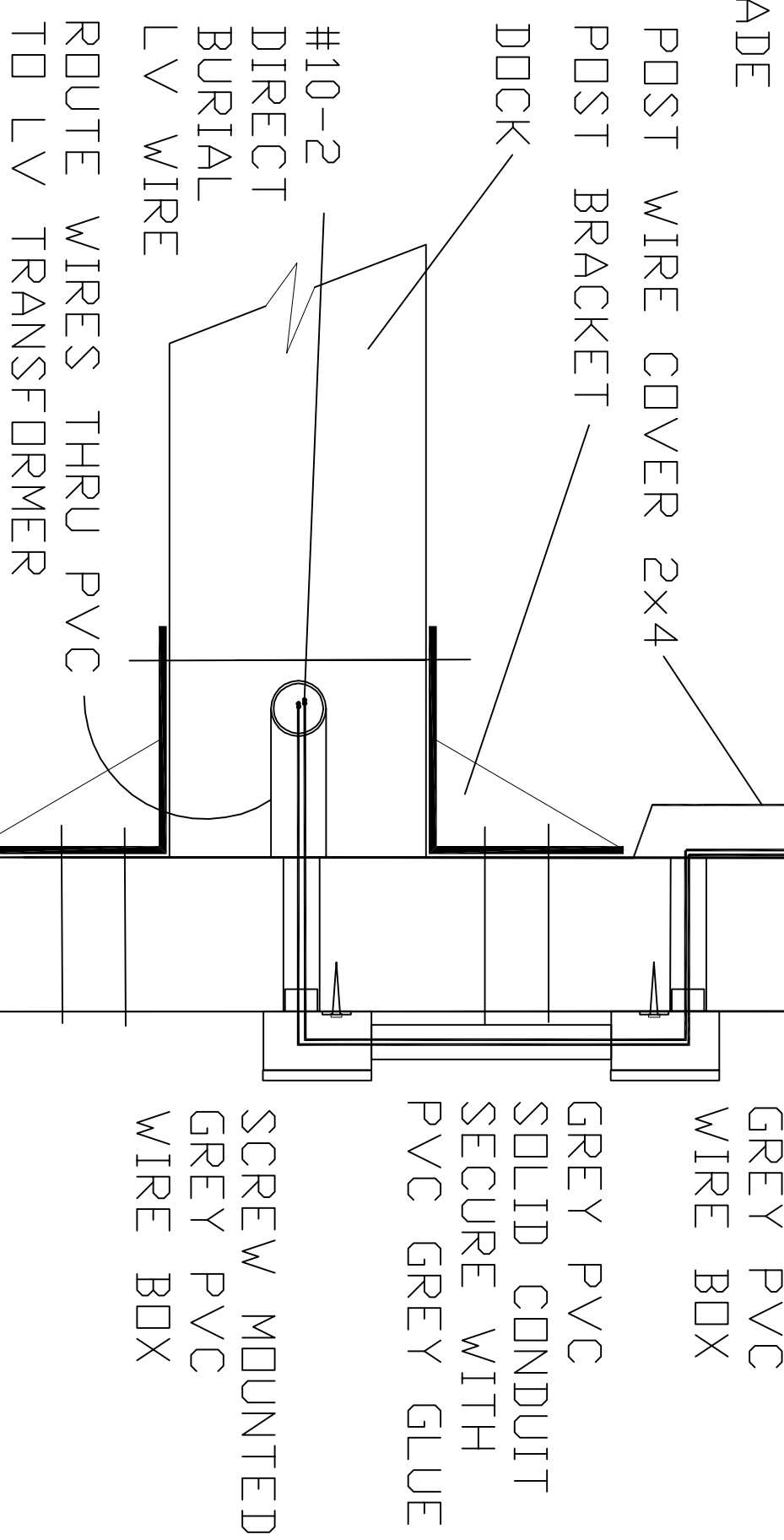
LOW VOLTAGE TRANSFORMER MOUNT DETAIL
NO SCALE



WIRING SCHEMATIC

ROUTE 2x4 FOR WIRES TO RUN IN

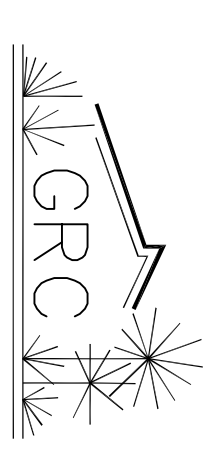
WIRE BOTTOM TO S3 SWITCH TOP TO CONTINUOUS POWER



DOCK LIGHTING POST MOUNT DETAIL
NO SCALE

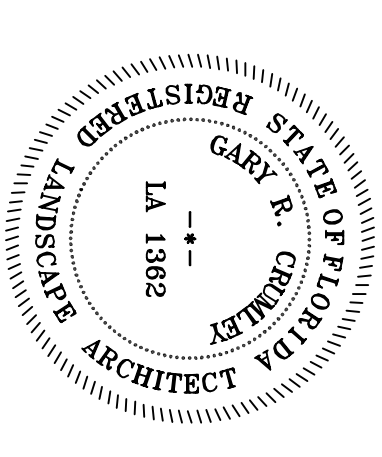
LOW VOLTAGE LIGHTING PLANS AND ELECTRIC PLANS

GARY R. CRUMLEY
LANDSCAPE ARCHITECT



LA 1362

2462 JETTY CT.
ATLANTIC BCH, FL 32233
(904) 233-4455



DOCK ADDITION FOR
APALACHICOLA MARITIME MUSEUM
103 E. WATER ST.
APALACHICOLA FLORIDA
CONSTRUCTION PLANS

JOB#: 090929
DATE: 12-23-2009
DRAWN: GRC
CHKD: GRC
ISSUED: 2-10-2010
REVISED:

SHEET NO.
11-1
OF 5