

DOCK ADDITION FOR
APALACHICOLA MARITIME MUSEUM
103 E. WATER ST.
APALACHICOLA FLORIDA
CONSTRUCTION PLANS

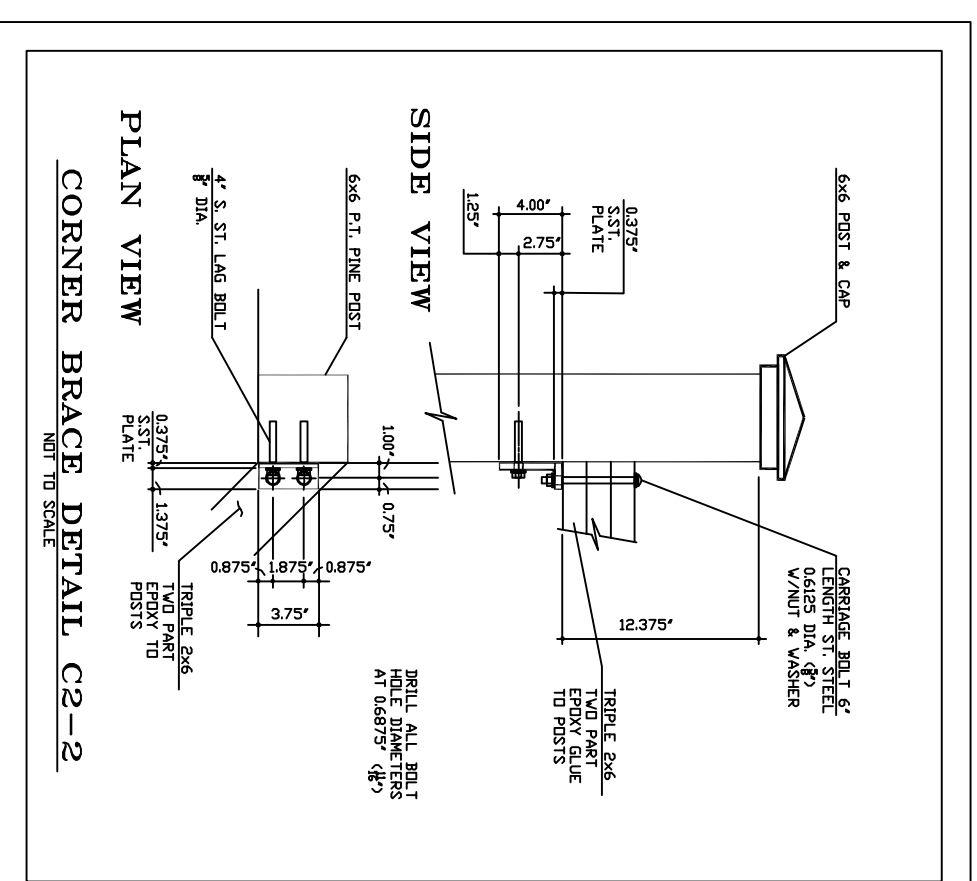
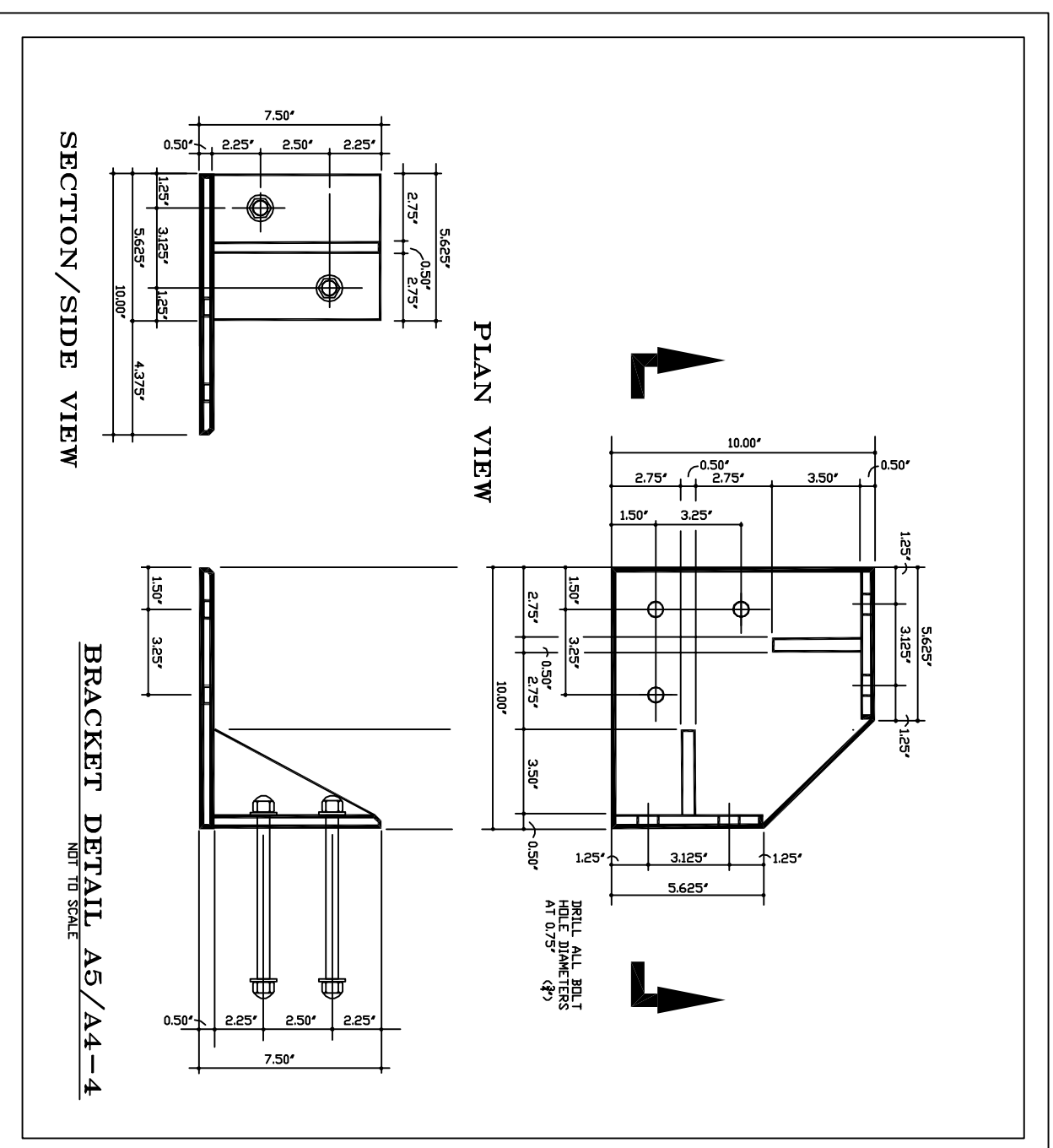
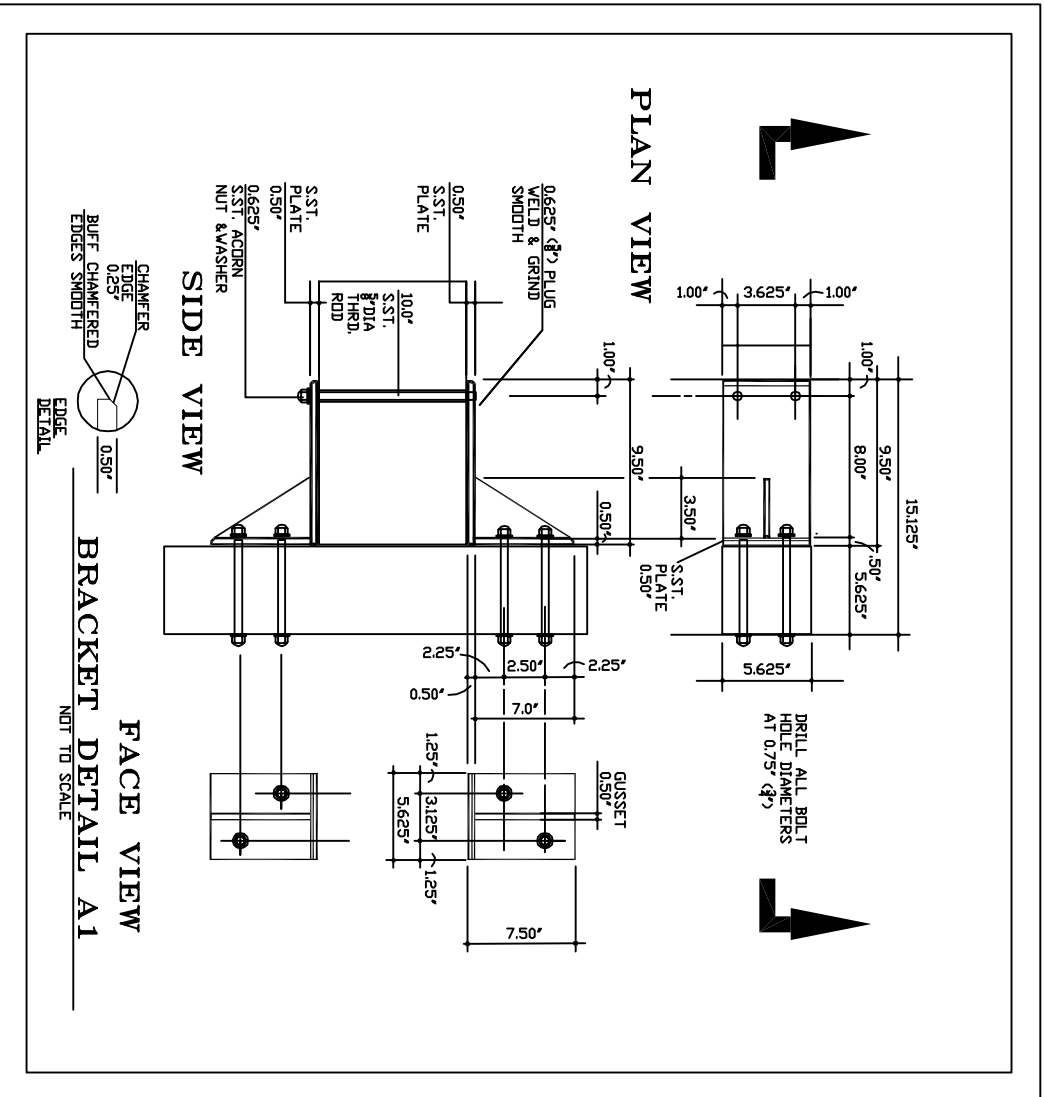
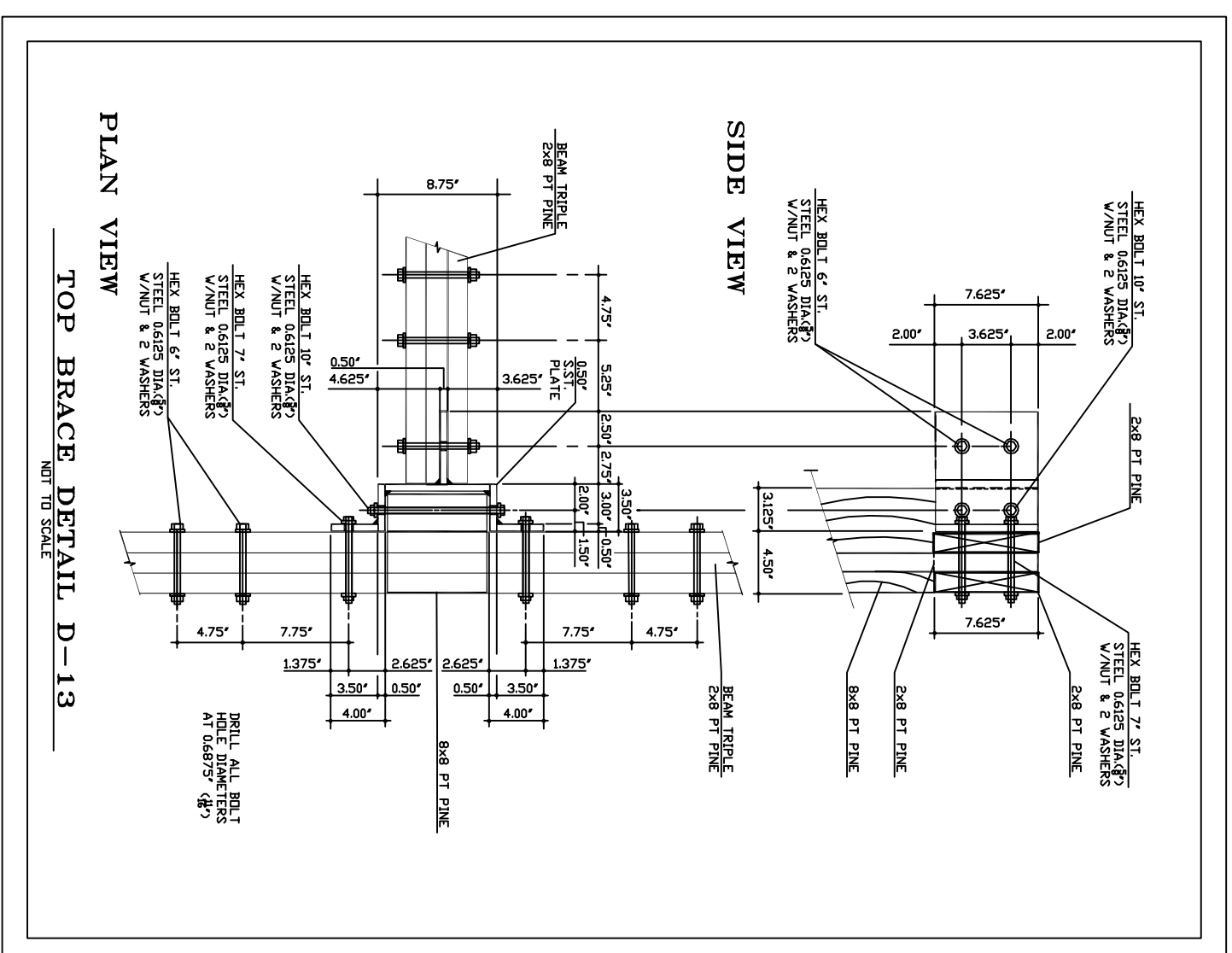
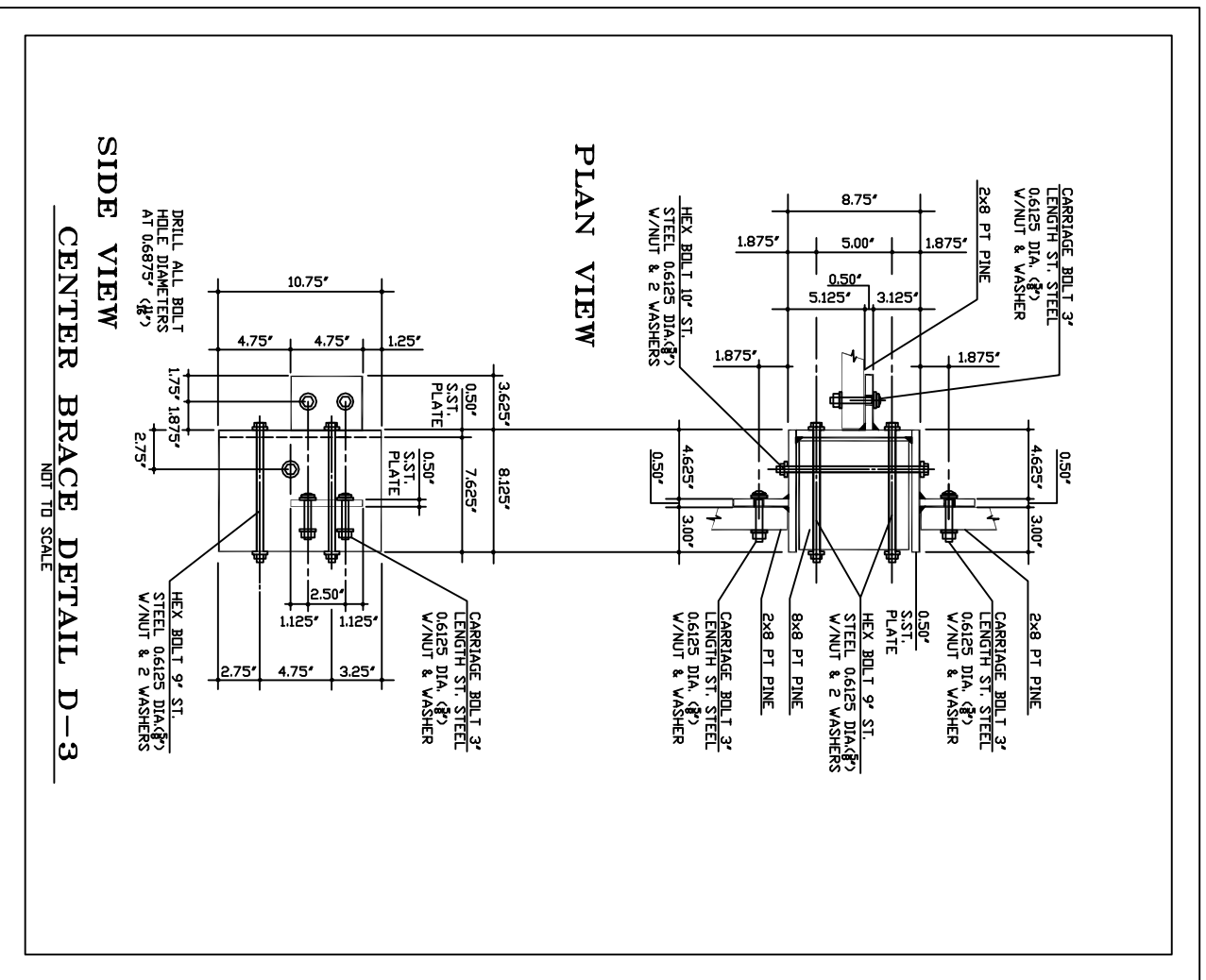
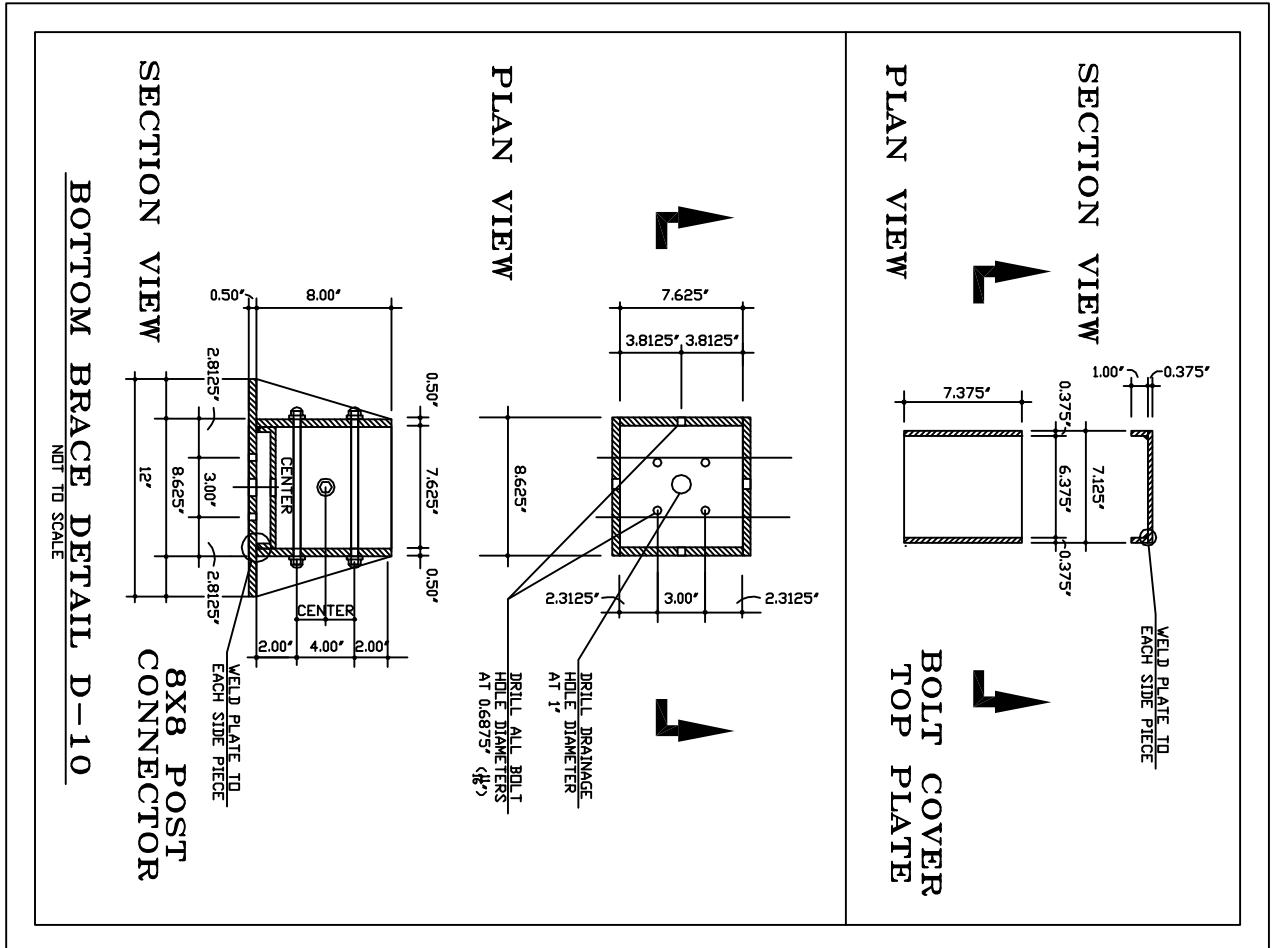
JOB#: 090929
DATE: 12-23-2009
DRAWN: GRC
CHKD: GRC
ISSUED: 2-10-2010

REVISED:

SHEET NO.

CP-4

OF 5



FABRICATION DETAILS OF STAINLESS STEEL CONNECTORS

PLEASE DO NOT TO SCALE DETAIL TO USE AS TEMPLATE FOR FABRICATION - ADJUST TO SHOP TOLERANCE