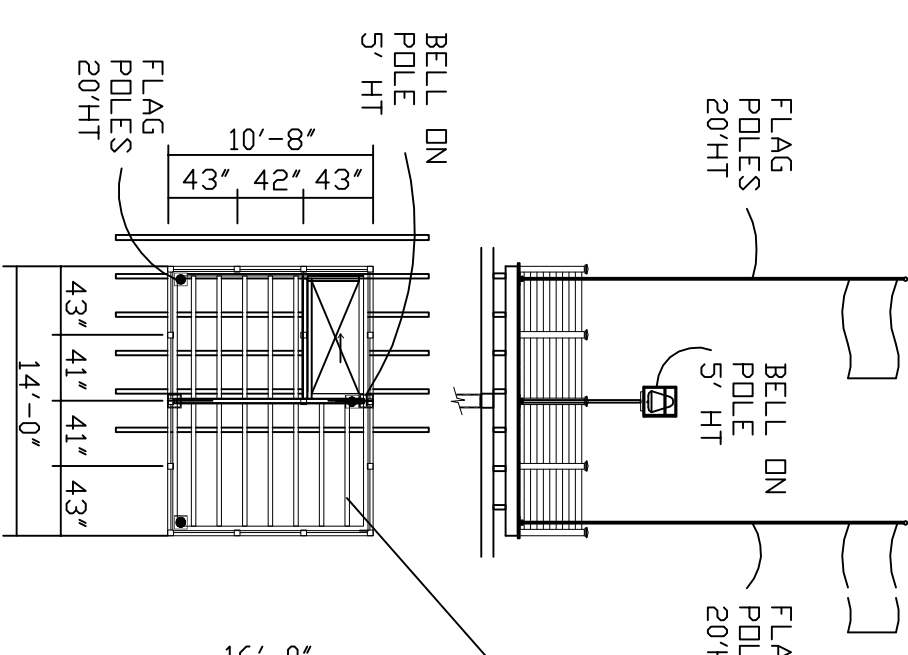
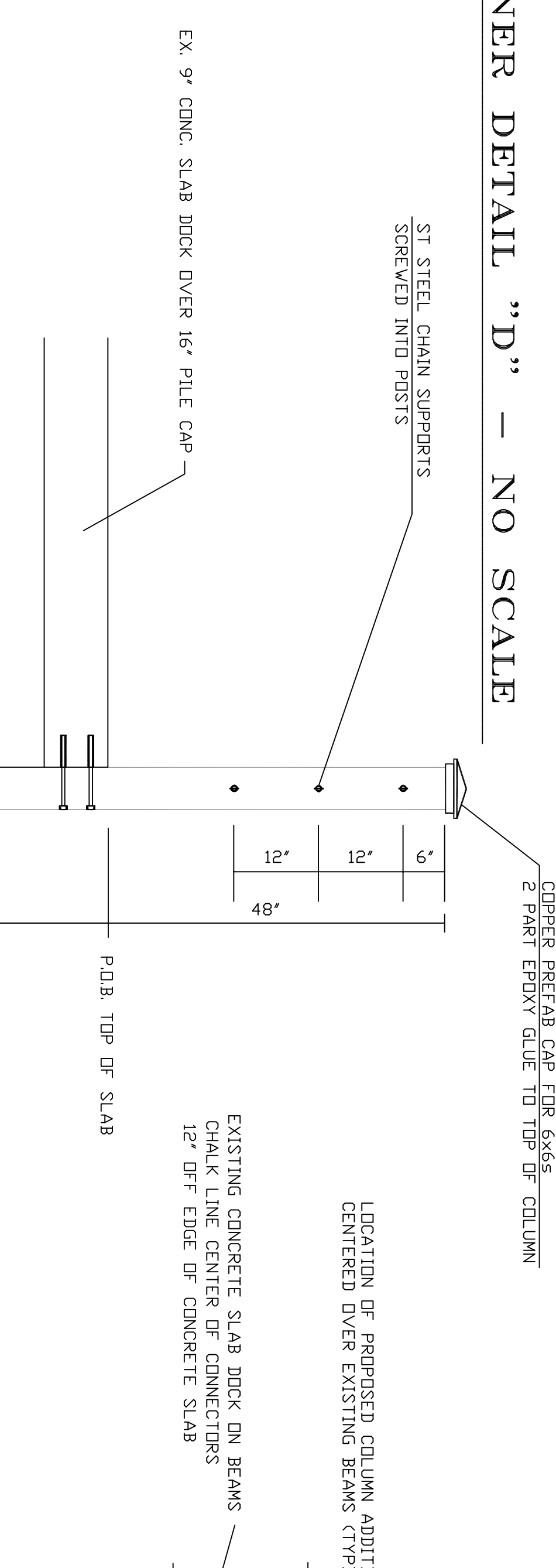
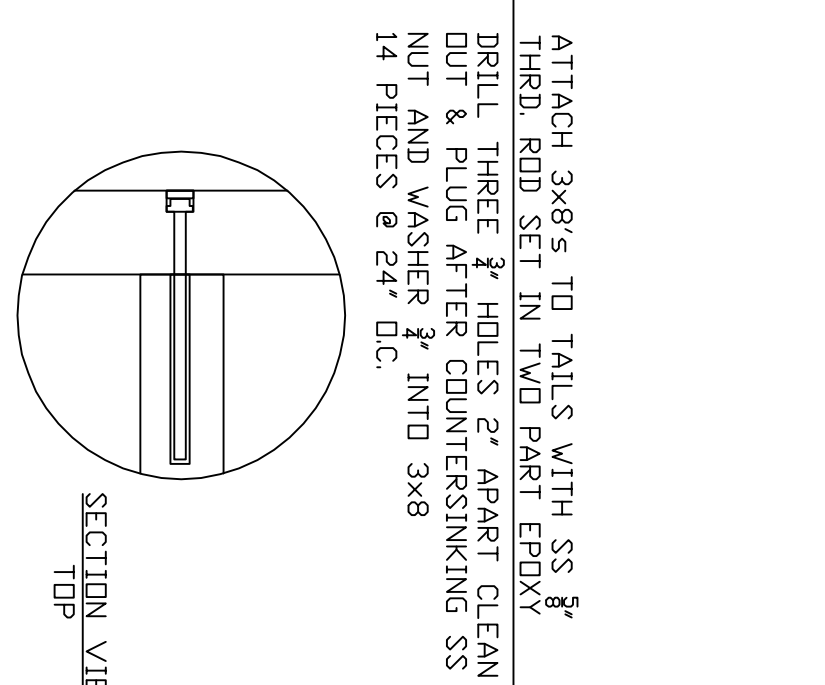
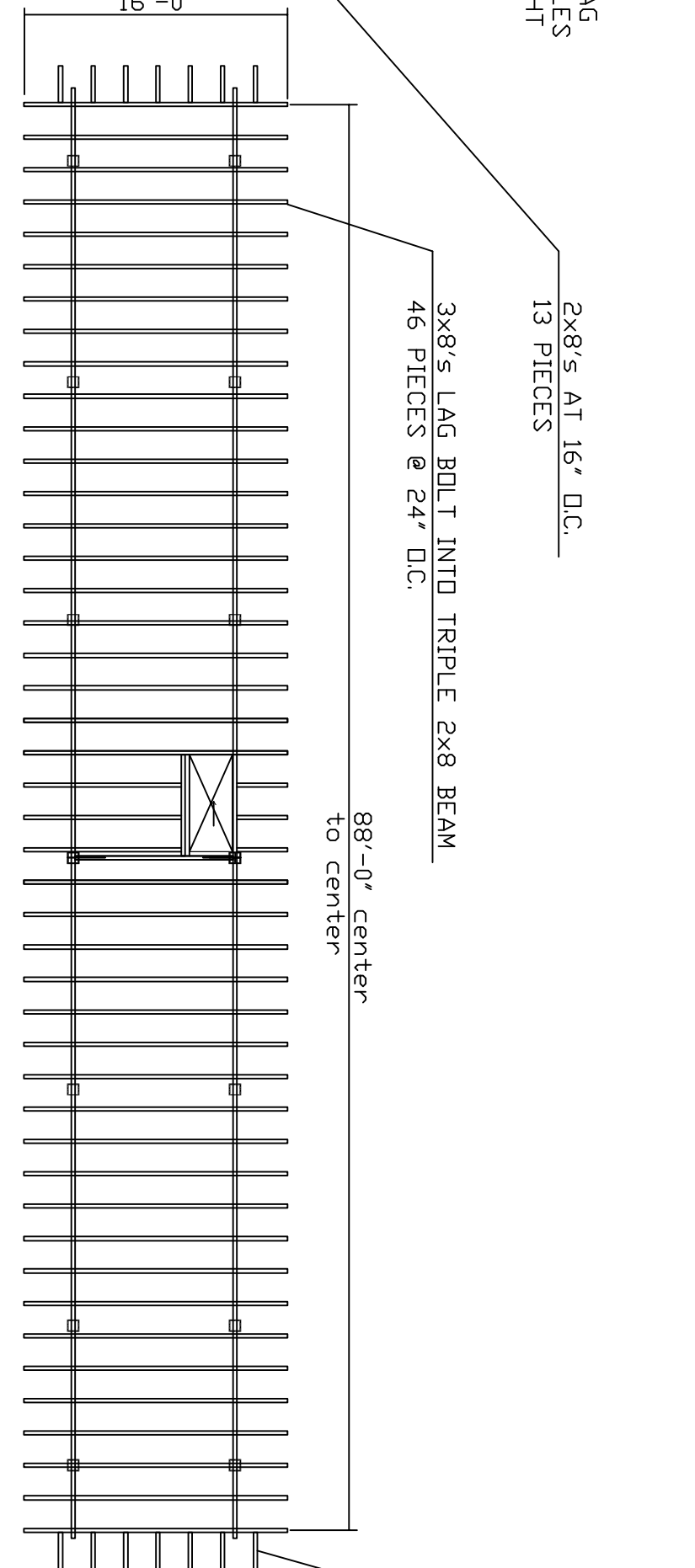


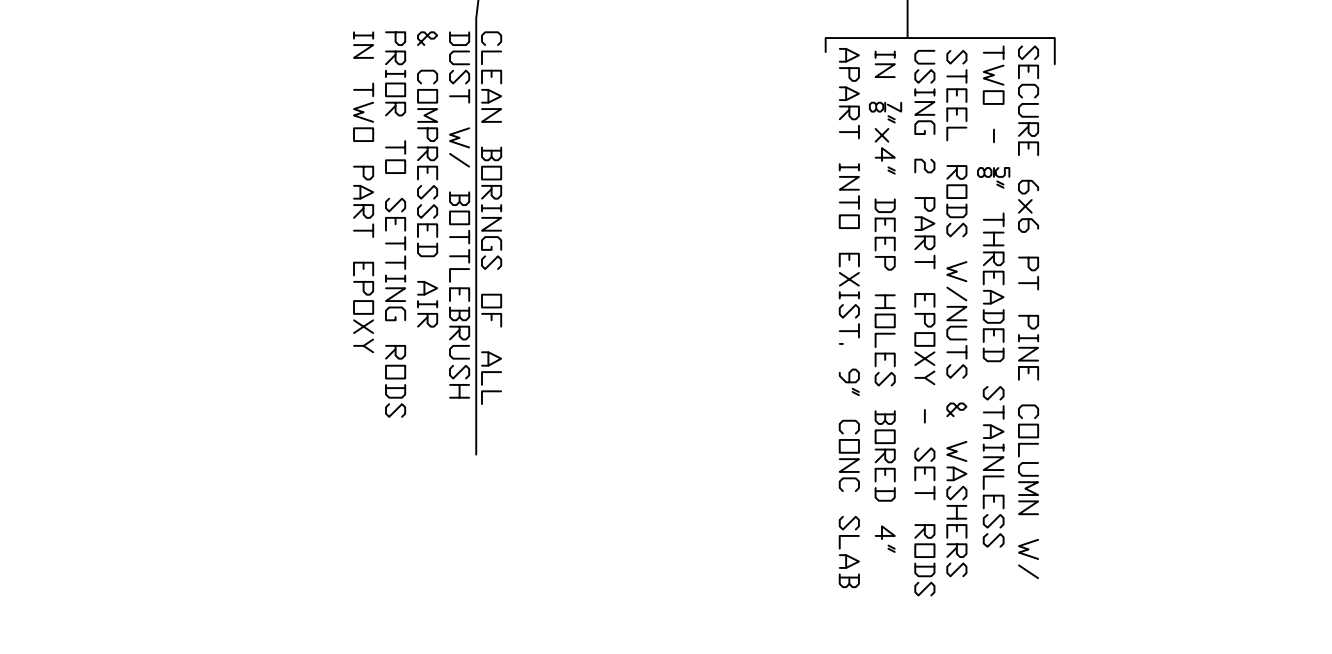
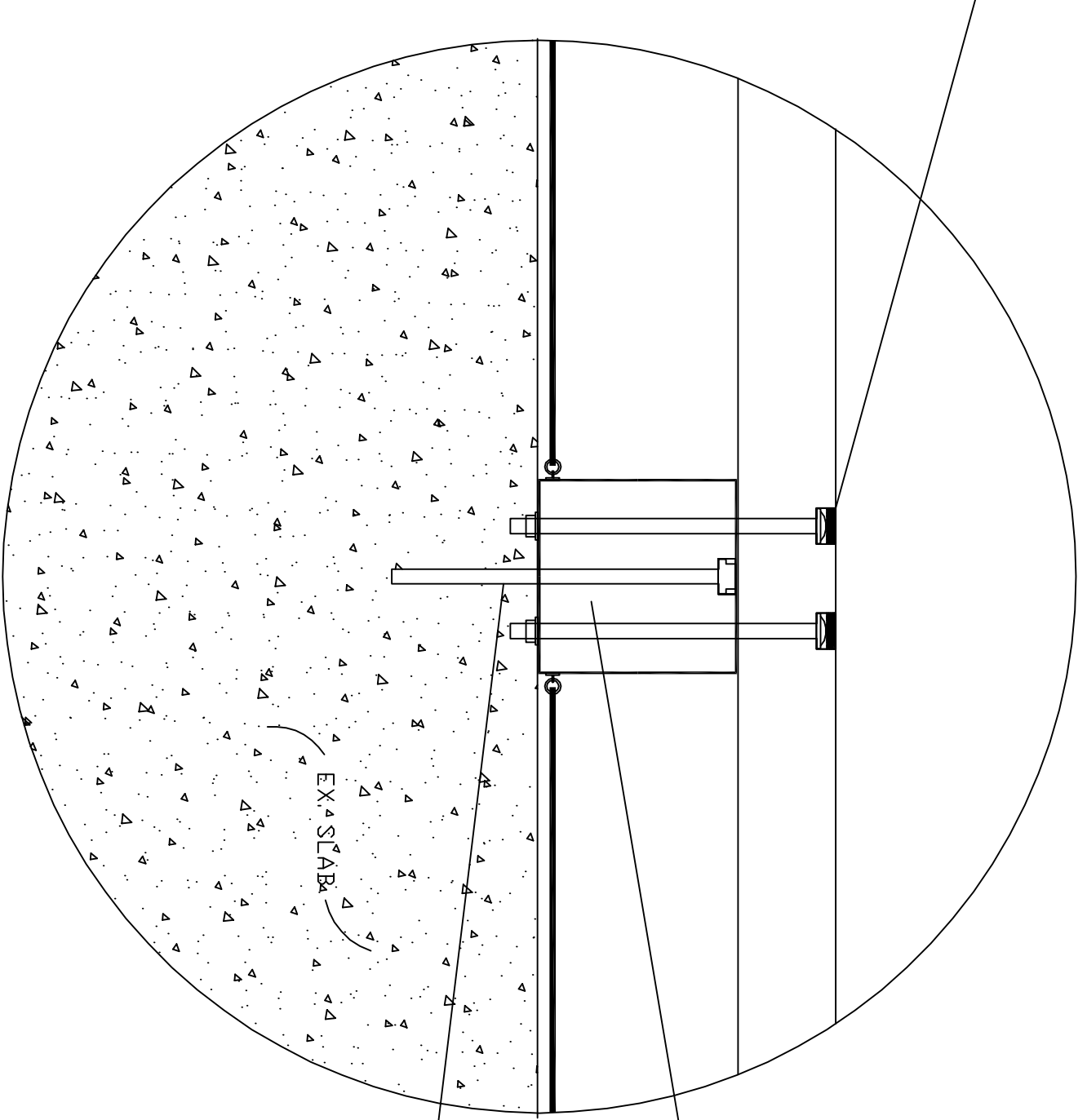
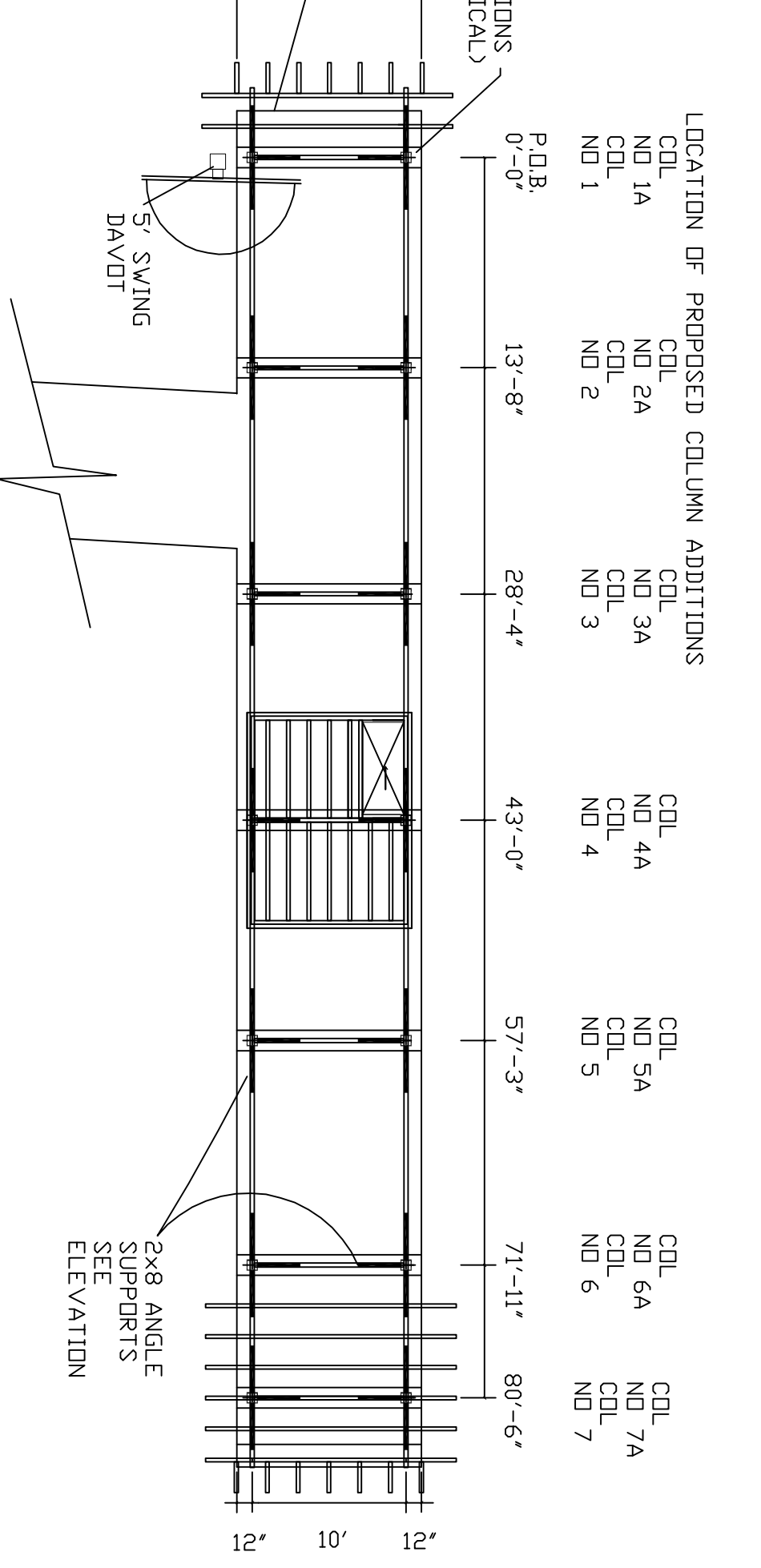
CORNER DETAIL "D" - NO SCALE



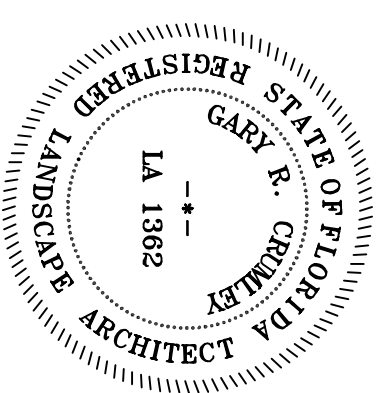
SUN DECK & TRELLIS FRAMING PLAN @ 1"=10'



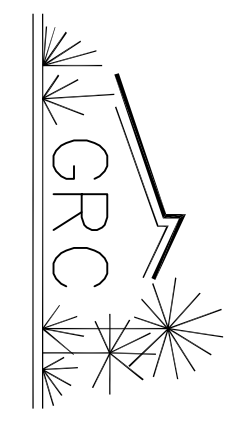
PLAN VIEW OF COLUMNS @ 1"=10'



DOCK ADDITION FOR APALACHICOLA MARITIME MUSEUM
103 E. WATER ST.
APALACHICOLA FLORIDA
CONSTRUCTION PLANS



2462 JETTY CT.
ATLANTIC BCH, FL 32233
(904) 233-4455



GARY R. CRUMLEY
LANDSCAPE ARCHITECT

LA 1362

JOB#: 090929
DATE: 12-23-2009
DRAWN: GRC
CHKD: GRC
ISSUED: 2-10-2010
REVISED:

SHEET NO. CP-3
OF 5